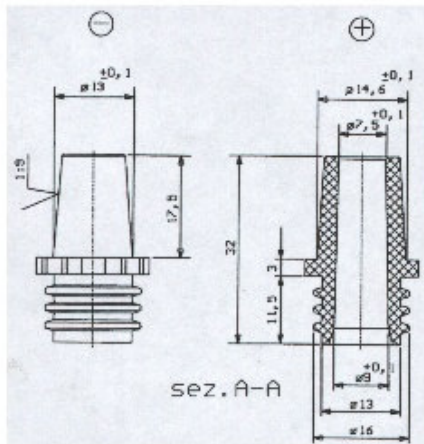
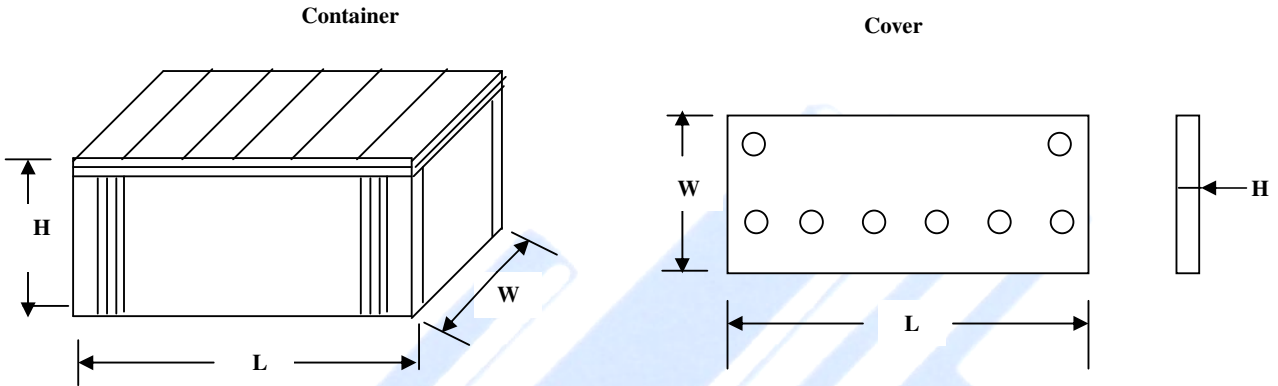




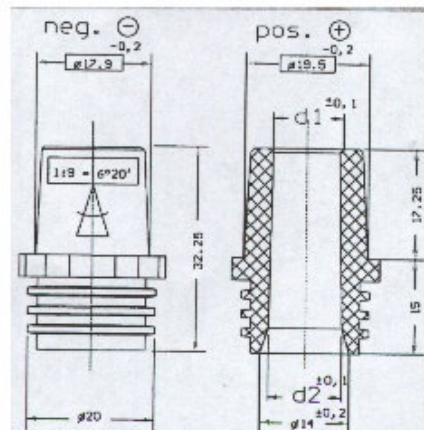
ROWAD NATIONAL PLASTIC CO. LTD.

ROWAD AUTOMOBILE BATTERY PRODUCTS

Specifications



G - Type Terminal



Z & Y - Type Terminal



ROWAD NATIONAL PLASTIC CO. LTD.

ROWAD AUTOMOBILE BATTERY PRODUCTS

Heat Sealing Type PP container and cover for JIS 12V Automobile battery.

Type	Container Dimensions			Cover Dimensions			Terminal Location & Rating		Handle
	(L)	(W)	(H)	(L)	(W)	(H)			
N50	258	171	195	258	172	13		12 V 50 Ah	None
N50 L	258	171	195	258	172	13		12 V 50 Ah	None
N 50Z	258	171	195	258	172	13		12 V 60 Ah	None
N50ZL	258	171	195	258	172	13		12 V 60 Ah	None
N70	302	172	192	302	170	16		12 V 70 Ah	None
N70L	302	172	192	302	170	16		12 V 70 Ah	None
N70Z	302	172	192	302	170	16		12 V 75 Ah	None
N70ZL	302	172	192	302	170	16		12 V 75 Ah	None
95D31R	302	172	192	302	170	16		12 V 80 Ah	None
95D31L	302	172	192	302	170	16		12 V 80 Ah	None
80D26R	258	171	195	258	172	13		12V 65 Ah	None
80D26L	258	171	195	258	172	13		12V 65 Ah	None
65 - 650R	312	188	167	286	188	13		12V 75 Ah	Available
65 - 650L	312	188	167	286	188	13		12V 75 Ah	Available



ROWAD NATIONAL PLASTIC CO. LTD.

ROWAD AUTOMOBILE BATTERY PRODUCTS

55D23R	230	170	201	230	170	11		12V 60 Ah	None
55D23L	230	170	201	230	170	11		12V 60 Ah	None
N40/NS 60 R	237	133	194	237	133	12.5		12V 35 Ah	None
N40/NS 60 L	237	133	194	237	133	12.5		12V 35 Ah	None
NS40ZL	191	121	188	194	126	18.5		12V 32Ah	Available
NS40Z R	191	121	188	194	126	18.5		12V 32Ah	Available
GR78 L	253	162	170	255	162	18			Available
GR78 R	253	162	170	255	162	18			Available
GR74 L	253	162	193	255	162	18			Available
GR74 R	253	162	193	255	162	18			Available
DIN55 L	228	165	165	235	169	33			Available
DIN55 R	228	165	165	235	169	33			Available
DIN88 L	340	165	165	350	173	35.30			Available
DIN88 R	340	165	165	350	173	35.30			Available
N100 L	374	167	205	382	174	11		12V 104Ah	Available
N100 R	374	167	205	382	174	11		12V 104Ah	Available

**ROWAD NATIONAL PLASTIC CO. LTD.****ROWAD AUTOMOBILE BATTERY PRODUCTS**

N120	480	172	205	490	185	12		12V 120Ah	Available
N120	480	172	205	490	185	12		12V 120Ah	Available
N150	510	213	205						Available
N150	510	213	205						Available

Options:

- N50 Containers available with cell length of 23mm and 33mm.
- N70 Containers available with cell length of 35mm/40mm
- N40/NS60 Containers available with cell length of 28mm and 30mm
- N40/NS60 Containers available with mud rust/without mud rust
- N40/NS60 available with G-type or Z-type terminals and Y-type
- NS40ZL available with G/Y-type terminals
- GR78/GR74 terminals are provided on containers
- DIN55/DIN88/GR74/GR78/NS40Z models have coin flush type cover
- DIN55/DIN88/GR74/GR78/NS40Z/N100/N120/N150 have provision for magic eye.
- N120/N150 available with H-type terminals
- All other products are with Z type terminals
- 65-650 Containers available with
 - mud rust
 - reinforced on width side of container
 - hold down on width side of container
 - magic eye
- All batteries are provided with suitable vent plugs
- All battery covers can be provided with user company logo

Rowad National Plastic Co. Ltd.
P.O Box 29452
Riyadh 11457
Kingdom of Saudi Arabia
Tel: +966 1 2651966
Fax: +966 1 2651973
Email: << marketing@alrowad.com.sa>>
Web: << www.alrowad.com.sa>>

Disclaimer Notice: This information is given in good faith and to the best of our knowledge, but without any warranty. It is always advisable to do preliminary testing. The above data show typical average values only. The specifications are subject to change without prior information.